



The new generation  
of compact loaders.

**miniZ400**

[firstgreenindustries.com](http://firstgreenindustries.com)

**MiniZ is more than a loader, it is a proven concept.**

Thanks to constant innovations, we strive to be one step ahead at FIRSTGREEN Industries. We believe in the power of simplicity, which is why we have developed new types of 100% electric compact loaders. Powerful devices with up to 8 hours endurance on a single charge, zero negative impact on the environment, minimal maintenance costs and downtime.



**Extreme power in compact design.**



**\*Fits through standard door.**

# Compact loader.

**MINI Z.** Compact and precisely manufactured electric loader represents the highest technology and years of experience of FIRSTGREEN Industries.



- Extensive safety features
- Ground breaking powertrain
- Micro speed for precision maneuverability
- Minimal maintenance
- 100% Eco-friendly

## Battery life

up to **8** h

Depending on use and load

## Maximum lifting height

**2186** mm

Class Leading for extreme versatility

## Load capacity

**400** Kg

Ultimate power in a small package

## Compact Dimensions

**1150** height mm / **800** width mm

Fits through standard doorways

## Remote control

**50** m

Safe, controlled ease of operation

## Battery capacity

**225** Ah

Full charge in under 5 hours

# Technical specifications.



miniZ400

| SPECIFICATIONS       | METRIC   | IMPERIAL |
|----------------------|----------|----------|
| Rated load capacity  | 400 kg   | 882 lb   |
| Tipping load         | 800 kg   | 1 764 lb |
| Minimum travel speed | 0,1 km/h | 0.06 mph |
| Maximum travel speed | 5 km/h   | 3,1 mph  |
| Hinge pin height     | 2 186 mm | 86 in    |
| Overall width        | 790 mm   | 31 in    |

## STANDARD FEATURES

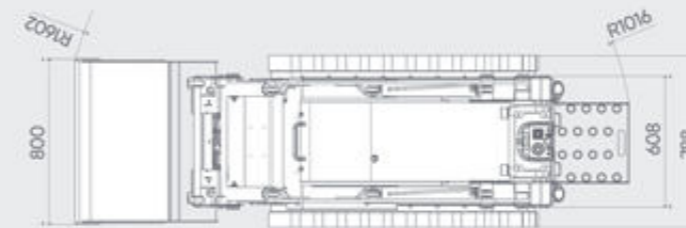
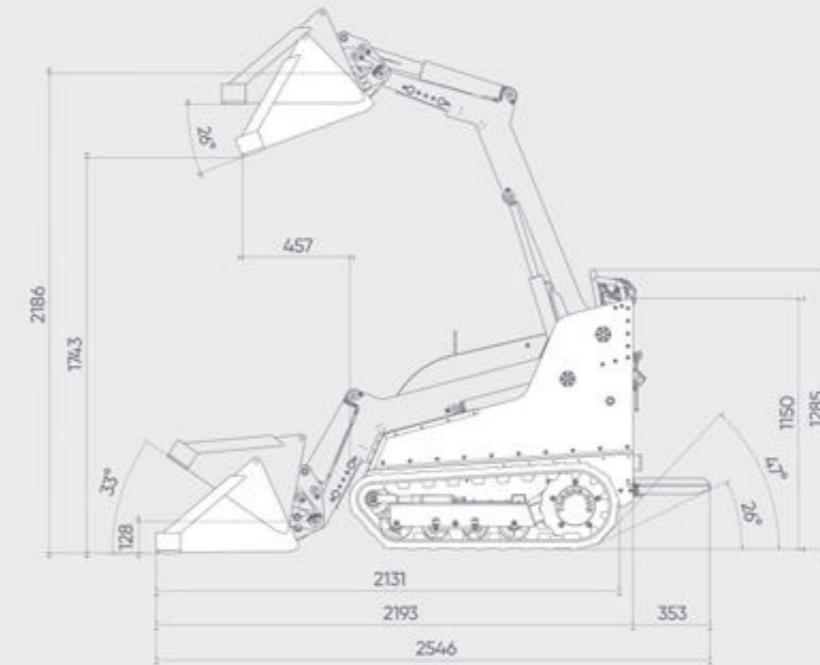
- Basic Bucket
- Danfoss Professional ISO Joystick Remote Control
- Lead-Acid battery 48V/225Ah
- External Battery Charger (3 phase or 1 phase)
- Operator Platform
- Danfoss Hydraulic system
- Independent motors – 2 for drive, 1 for Hydraulics
- Micro-speed Control

## TUNE-UP YOUR MACHINE WITH OPTIONAL FEATURES

- Cable set pre-install for electric attachments

| HYDRAULIC SYSTEM        | METRIC   | IMPERIAL    |
|-------------------------|----------|-------------|
| Hydraulic oil pressure  | 150 bar  | 2 175,6 psi |
| Hydraulic oil flow      | 25 l/min | 6,6 gal/min |
| Hydraulic oil reservoir | 30 l     | 7,9 gal     |

| ENGINE               | METRIC   | IMPERIAL |
|----------------------|----------|----------|
| Electric engine type | 3xIPM120 | 3xIPM120 |
| Maximum performance  | 3x2,7 kW | 3x4 HP   |



| WEIGHTS                    | METRIC   | IMPERIAL |
|----------------------------|----------|----------|
| Rated operating weight     | 1 100 kg | 2 425 lb |
| Total weight of the loader | 1 500 kg | 3 307 lb |

| HYDRAULICS              | METRIC   | IMPERIAL    |
|-------------------------|----------|-------------|
| Hydraulic oil pressure  | 150 bar  | 2175,6 psi  |
| Hydraulic oil flow      | 25 l/min | 6,6 gal/min |
| Hydraulic oil reservoir | 30 l     | 7,9 gal     |

# Professional remote control with reach of 50m.

## With a wide range of attachments.



Basic bucket



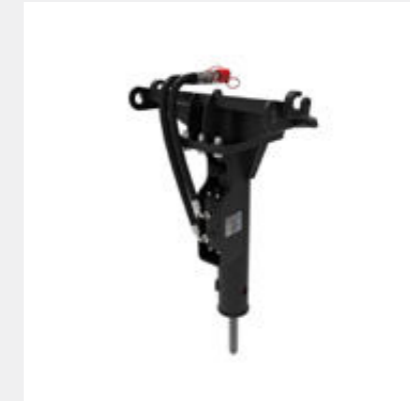
Snow blower



Small dozer blade



PTO



Mini hammer



... plus 9 other attachments on [firstgreenindustries.com](https://www.firstgreenindustries.com)



+420 737 633 733

info@firstgreenindustries.com



For more FIRSTGREEN products, visit

[www.firstgreenindustries.com](http://www.firstgreenindustries.com)

+420 737 633 733, [info@firstgreenindustries.com](mailto:info@firstgreenindustries.com)